

BIFOLD DOOR INSTALLATION INSTRUCTIONS

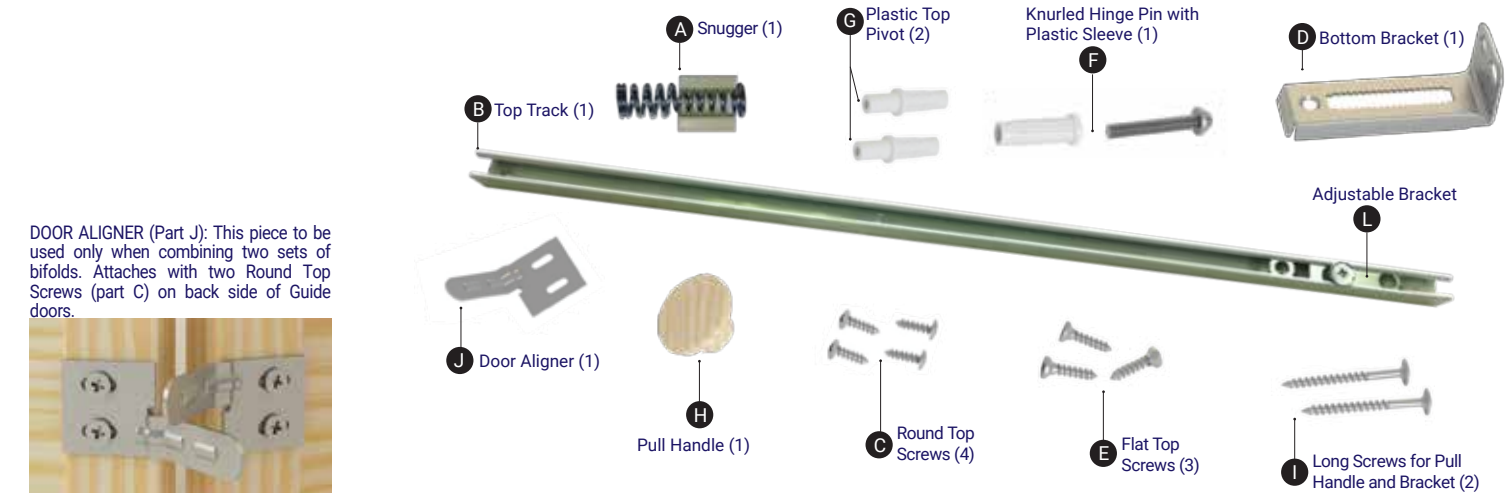
HARDWARE PACKAGE

NOTE: Please read the complete instructions carefully before you start installation. These instructions apply to any size and all KIMBERLY BAY® bifold doors (louver/louver, louver/panel, all panel, etc.) 1" (25 mm) and 1-1/8" (28mm) thick.

Before You Start - Confirm Materials Included In the Hardware Package:

Tools You'll Need:

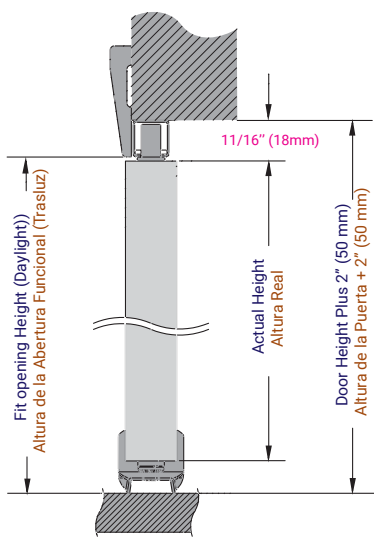
- Measuring Tape
- Phillips Screwdriver
- Marking Pencil
- Drill & 3/16" Bit
- Hammer
- Safety Glasses
- Finishing Supplies (if needed)



DOOR ALIGNER (Part J): This piece to be used only when combining two sets of bifolds. Attaches with two Round Top Screws (part C) on back side of Guide doors.



ATTENTION



STEP 1



Mark the center of top jamb opening.

Mark center of top jamb at each side of opening and center point. You will use these marks to align Top Track.

STEP 2

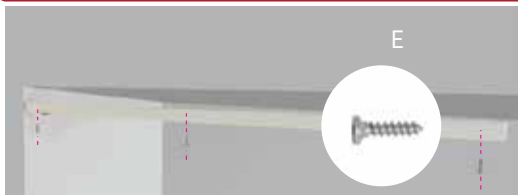
Snugger (A) is **OPTIONAL**. It will keep the doors more firmly closed over time. Insert snugger at the end of the Track (B) curved side up.



The snugger can go at the end at the track if you are installing one door or at the center of the two tracks if you are installing two doors.



STEP 3



Mount the Top Track (part B) in center of top jamb (marks made in step 1) using screws (part E). Be sure to center track (side to side) into the opening. Then, use screwdriver to loosen screw in sliding hinge bracket set.



STEP 4



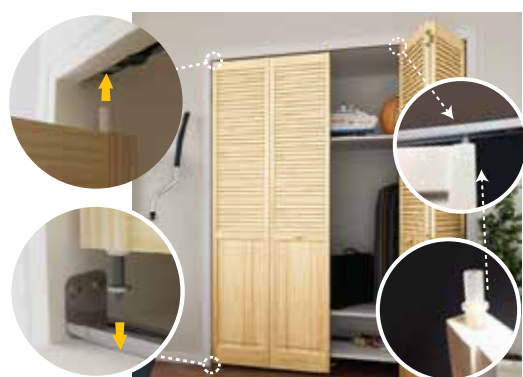
Mount bottom bracket (Part D) to the wall jamb using two screws (Part C) so the center of serrated hole is aligned vertically with the center of the Top Track. Be sure bracket is seated firmly to the floor then fix it using one screw (Part I). Use this screw for wood flooring only. Press down into carpet if necessary.

STEP 5



Screw metal Knurled Hinge Pin (Part F) fully into its plastic sleeve first, to prevent damaging sleeve when tapping with hammer. Then, insert the entire set into the lower socket of door panel, tapping lightly with hammer to fully seat. Once seated, back-out pin approximately 1/4". Now insert the two Plastic Top Pivots (Part G) and tap-in lightly to fully seat.

STEP 6

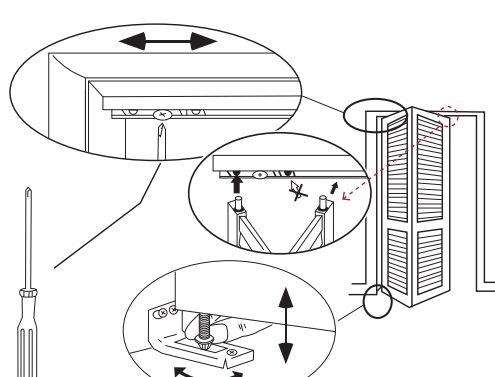


Place one upper Pivot Pin in the hole in the adjustable bracket (L) and the other upper Pivot Pin into the groove on the Track (B). Lift the door assembly and drop the lower pin into lower bracket slot (D).

Note 1: New hardware pivot pins does not require a pivot guide to insert the pin. The pivot pin is thicker and inserts directly into the track's groove.

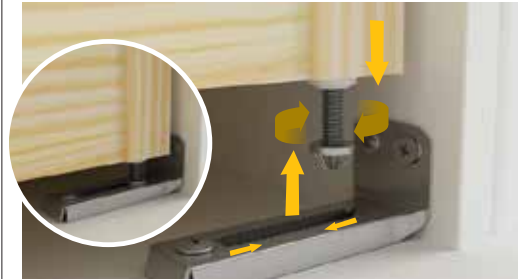
Note 2: Older hardware has a smaller radius pivot pin that inserts into a pivot guide that is inserted into the track.

STEP 7



Square-up doors in the opening and tighten set screw on sliding-hinge bracket in the Top Track (Part B) to fix door position. Test-close doors to be sure they operate smoothly. Doors should have equal space on all sides. Verify there is at least one quarter inch of clearance between the pivot door and the jamb.

STEP 8



To adjust for height, lift door from Bottom Bracket (Part D) and rotate Knur-led Hinge Pin (Part F) clockwise to raise the door and counter-clockwise to lower it. Verify there is at least one quarter inch of clearance between the pivot door and the jamb.

STEP 9



Guide door is the one that closes towards opening.

Install the Pull Handle (Part H), by drilling a 3/16" (5mm) hole in the center of the Guide Door. Insert a long screw (Part I) from back and fasten knob.

CROSS SECTION AND FINISHING OPTIONS

